

VDM-M SERIES

TECHNICAL DATA





SCAN →



Please use your smartphone with the relevant software, scan the QR-Code.

GET INFO →



You will get the information whether you have got the latest version.



12/2020

The hand symbol appears on pages which differ from the previous catalogue version.

CONTENTS

Characteristics / Performance Data	04
<hr/>	
Technical Data	06
<hr/>	
Geometric Data	06
Series VDM-M1	06
Series VDM-M2	06
Series VDM-M3	06
Series VDM-M4	06
Vertical Load-Deflection Chart	08
Series VDM-M1	08
Series VDM-M2	08
Series VDM-M3	09
Series VDM-M4	09
<hr/>	
Online-Service	10
<hr/>	
Validity Clause	11
<hr/>	



VDM-M SERIES

CHARACTERISTICS

LOAD RANGE 0,4 KN – 16,5 KN

The VDM-M Series provides optimal performance in applications where damping and stability are absolutely necessary. The optimised stiffness level in the three directions ensures a good degree of vibration insulation and at the same time, the VDM-M Series is in a position to absorb longitudinal loads. The insulation in vertical and lateral direction is achieved by low stiffness. The VDM-M Series has an internal limiter that provides fail-safe protection for mobile applications. This device limits vertical and lateral movements when the mounting is submitted to shock inputs. These mounts are suitable for a wide areas of applications ranging from the main drive on ships to generator set, pumps and compressors right up utility vehicles.

AREAS OF APPLICATION

Ship drives, pumps, fans, compressors and generator units.

PRODUCT BENEFITS

- ⊕ Optimal insulation from vibrations based on the stiffness characteristics.
- ⊕ Reliable with built-in centralized limiter.
- ⊕ Huge areas of application.

CERTIFICATIONS

On request.

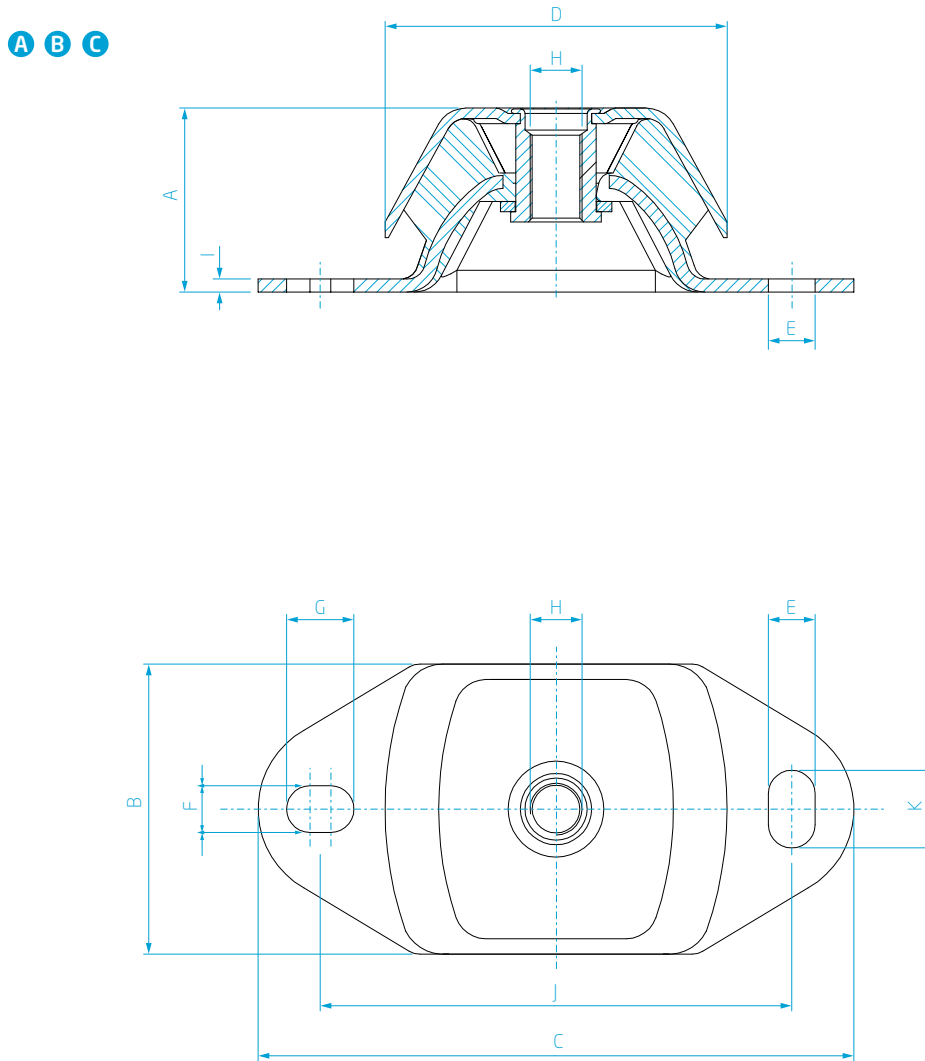
PERFORMANCE DATA

Dimension group	Element stiffness	$F_{Z, \text{Nominal}}$	$C_{Z, \text{Nominal}}$
		[kN]	[kN/mm]
		Vertical nominal load	Vertical static stiffness at nominal load
VDM-M1	22	0,40	0,10
	24	0,50	0,15
	26	0,80	0,25
VDM-M2	22	0,80	0,26
	24	1,10	0,40
	26	1,70	0,66
VDM-M3	22	2,60	0,67
	24	3,00	0,79
	26	5,00	1,33
	29	6,75	1,90
VDM-M4	21	7,10	0,79
	23	10,50	1,17
	25	16,50	1,84

Note: First selection should be based on nominal load = 75% of maximum load.

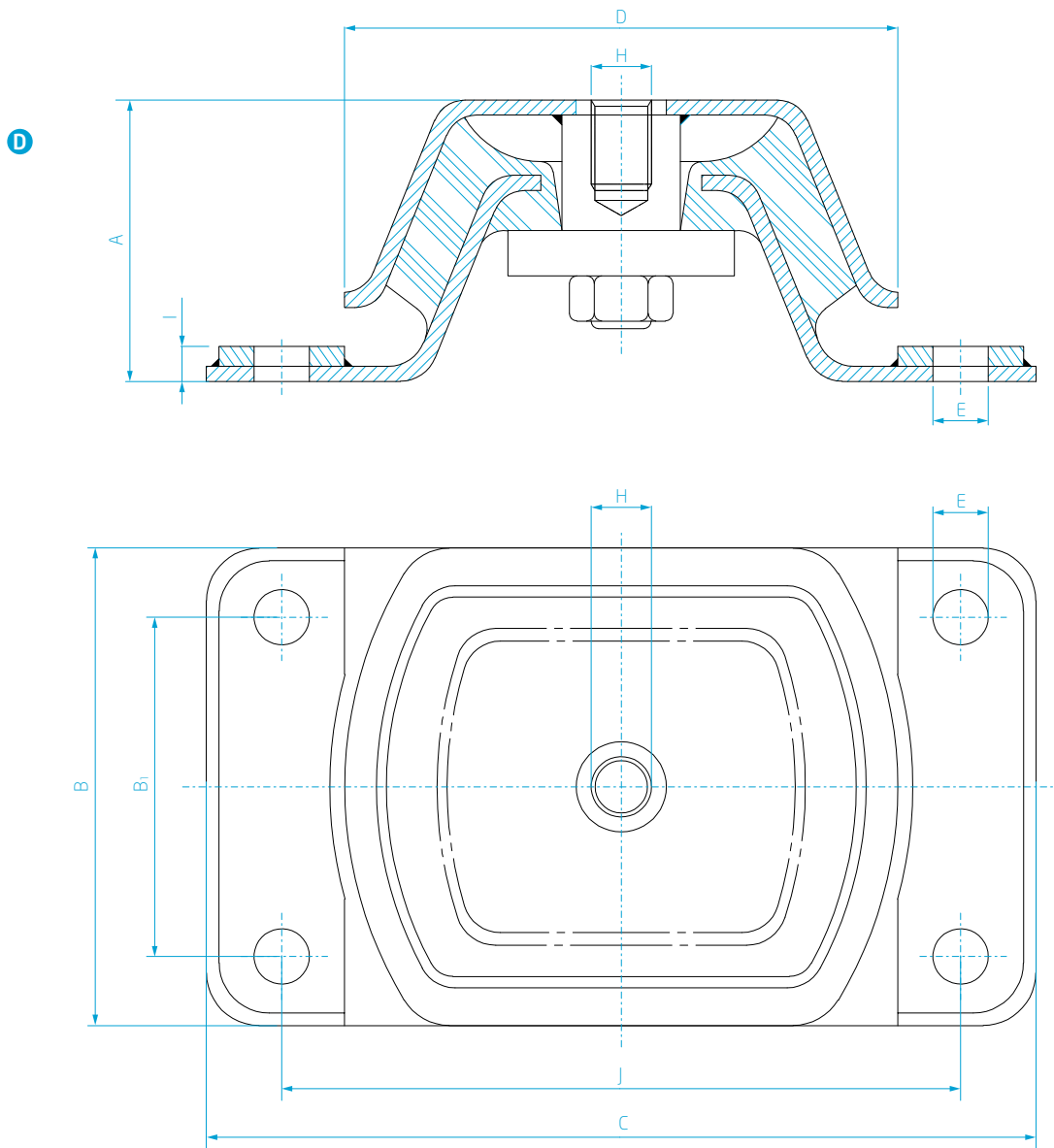
VDM SERIES

GEOMETRIC DATA



Dimension group Dimension

	A	B	B ₁	C	D	E	F	G
	[mm]	[mm]	[mm]	[mm]	[mm]	[mm]		[mm]
A VDM-M1	39	61	-	120	65	11	11	13
B VDM-M2	50	78	-	186	70	13	13	20
C VDM-M3	71	112	-	230	85	18	18	26
D VDM-M4	110	190	135	330	135	Ø22	-	-

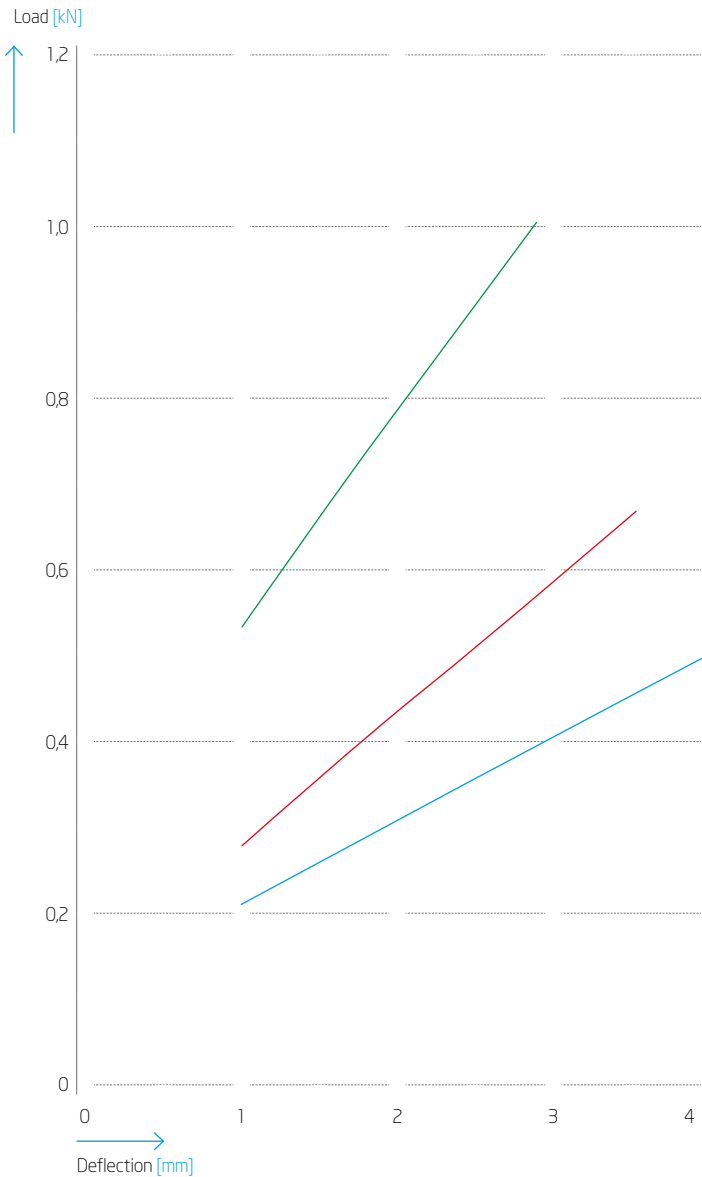


Dimension				Mass	Notes
K	H	I	J	m	
[mm]	[mm]	[mm]	[mm]	[kg]	
13	M12	3	100	0,35	
30	M16	4	140	0,85	
30	M20	5	182	2,00	
-	M24	14	270	9,00	

VDM SERIES

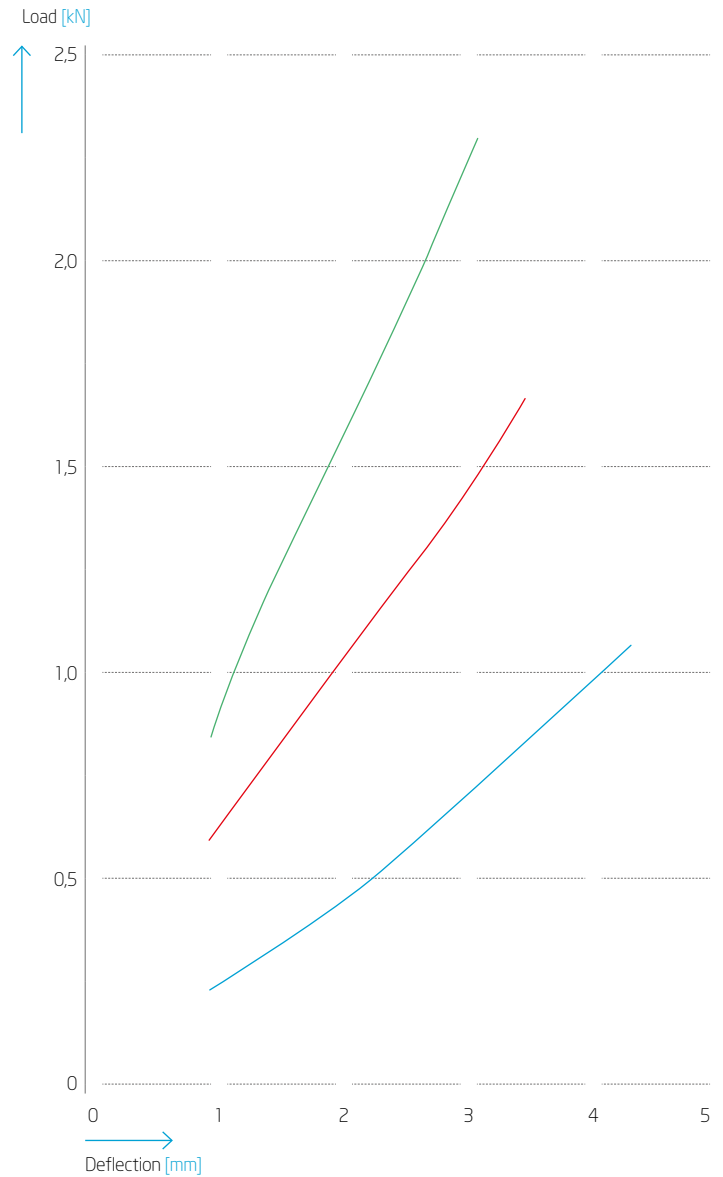
VERTICAL LOAD-DEFLECTION CHART

VDM-M1



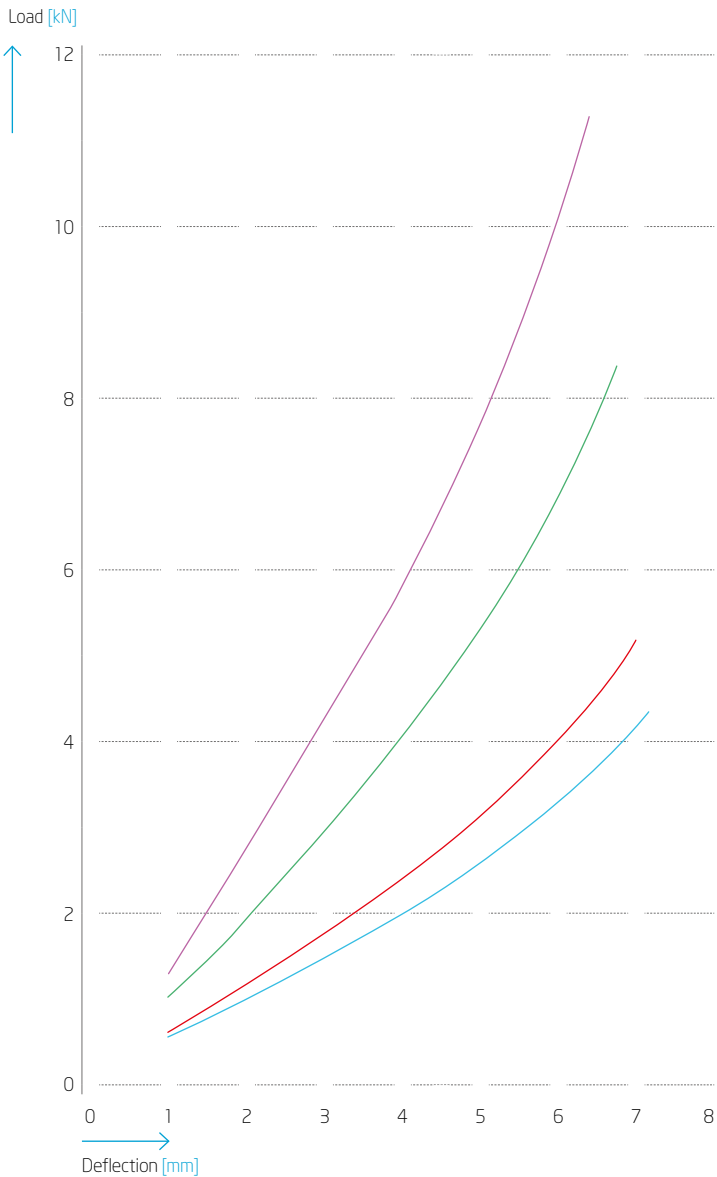
Element stiffness: **22** **24** **26**

VDM-M2



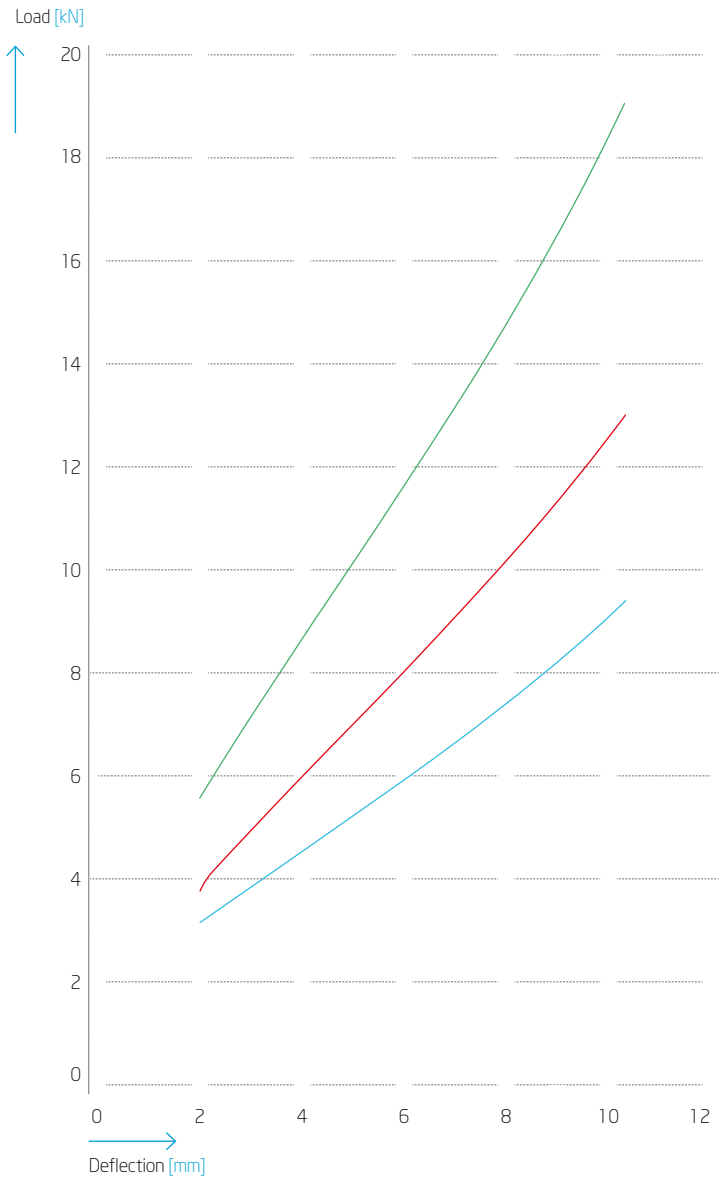
Element stiffness: **22** **24** **26**

VDM-M3



Element stiffness: [22](#) [24](#) [26](#) [29](#)

VDM-M4



Element stiffness: [21](#) [23](#) [25](#)

ONLINE-SERVICE

FOR FURTHER INFORMATION, PLEASE REFER TO OUR WEBSITE WWW.VULKAN.COM



RESILIENT MOUNTS

www.vulkan.com/en-us/couplings/products/mounts



CATALOGUES & BROCHURES

www.vulkan.com/en-us/couplings/downloads-videos



VULKAN ENGINEERING PORTAL

www.vulkan.com/en-us/couplings/service/vulkan-engineering-portal



PRODUCT SELECTOR

www.vulkan.com/en-us/couplings/service/product-selector



AUTHORISED DISTRIBUTORS

www.vulkan.com/en-us/couplings/contact



VIDEOS

www.vulkan.com/en-us/couplings/downloads-videos/videos

VALIDITY CLAUSE

The containing technical data is valid only for defined areas of applications. These includes:

- ⊕ Main propulsion and auxiliary drives on ships
- ⊕ Generator sets on ships
- ⊕ Drives for stationary energy production with diesel or gas engines

For other than the named applications please contact your local VULKAN supplier for further consideration.

The present catalogue shall replace all previous editions, any previous printings shall no longer be valid. Based on new developments, VULKAN reserves the right to amend and change any details contained in this catalogue respectively. The new data shall only apply with respect to couplings that were ordered after said amendment or change. It shall be the responsibility of the user to ensure that only the latest catalogue issue will be used. The respective latest issue can be seen on the website of VULKAN on www.vulkan.com.

The data contained in this catalogue refer to the technical standard as presently used by VULKAN with defined conditions according to the explanations. It shall be the sole responsibility and decision of the system administrator for the drive line to draw conclusions about the system behaviour.

VULKAN torsional vibration analysis usually only consider the pure mechanical mass-elastic system. Being a component manufacturer exclusively, VULKAN assumes no system responsibility with the analysis of the torsional vibration system (stationary, transiently)! The accuracy of the analysis depends on the exactness of the used data and the data VULKAN is provided with, respectively.

Any changes due to the technological progress are reserved. For questions or queries please contact VULKAN.

Status: 12/2020

All duplication, reprinting and translation rights are reserved. We reserve the right to modify dimensions and constructions without prior notice.

PUBLISHER:

VULKAN Couplings

CONCEPT AND DESIGN:

Hackforth Holding GmbH & Co. KG
VULKAN Marketing
Heerstraße 66, 44653 Herne / Germany
E-mail: marketing@vulkan.com

STATUS: 12/2020

All duplication, reprinting and translation rights are reserved. Any changes due to the technological progress are reserved. For questions or queries please contact VULKAN.